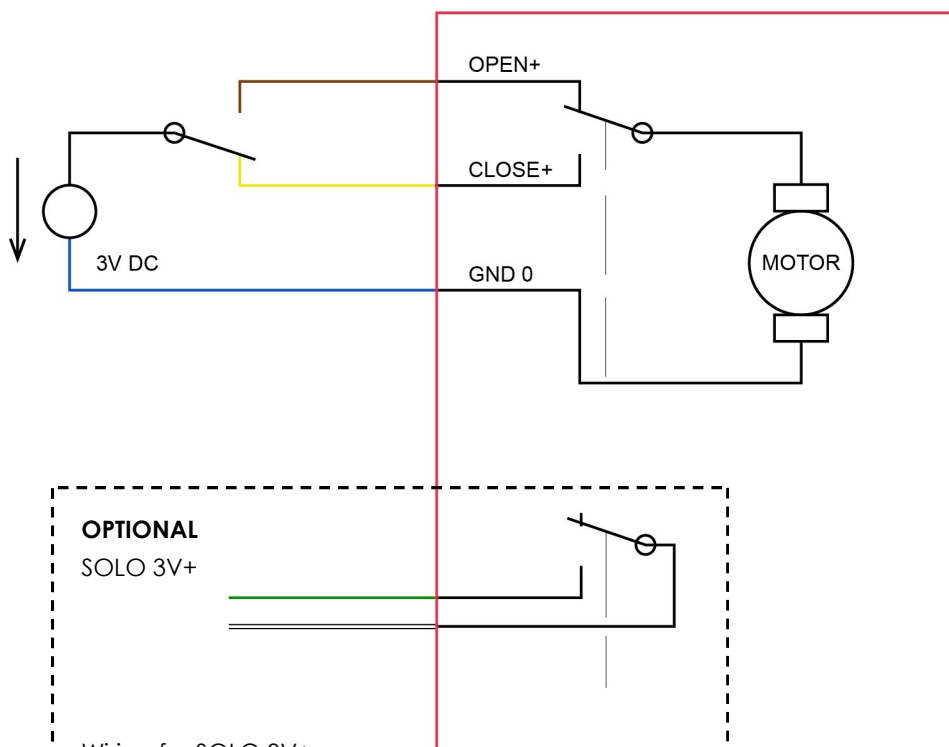


The 3V locks are operated with a voltage of 2-3V DC. They have a cable length of 1,5m. A switch or relay is shown in the illustration below.

Connection:

- Blue – GND / Minus
- Brown – open
- Black – close



**OPTIONAL**  
SOLO 3V+

Wiring for SOLO 3V+ :

- Grey: Ground GND 0V
- Brown: 3V DC open
- Yellow: 3V DC close
- Green & White: Switcher door closed

